

**FAG**



## **Axial Spherical Roller Bearings**

The most powerful bearings on the market

**SCHAEFFLER**

## Axial spherical roller bearings – a first-rate FAG product



Maximum operating life

Highest load-carrying capacity

Fastest speeds

Least amount of wear thanks to fine surface structure

Least amount of friction and lowest bearing temperatures

Reduced lubricant stress

**Cost-effective**  
**Reliable**  
**Energy-saving**

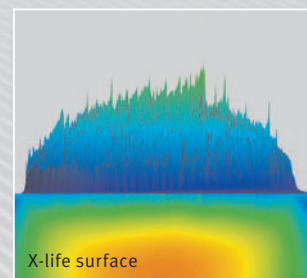
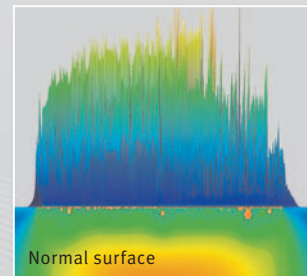
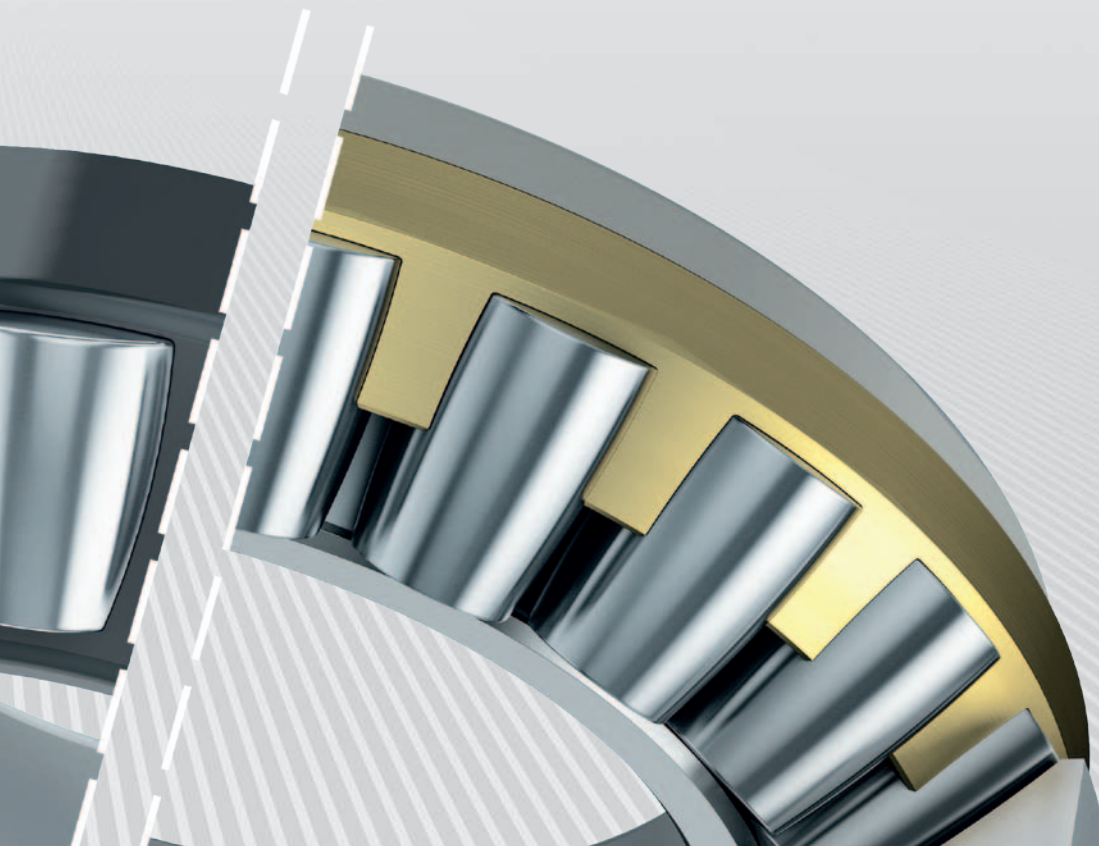
## X-life. Proven to be better

X-life is the quality seal for especially efficient products from the INA and FAG brands.

X-life products offer a longer operating life – the result of higher dynamic load ratings than the previous standard. They thus open up completely new design options and pro-

vide a significant contribution to the improvement of the overall cost-effectiveness of the application.

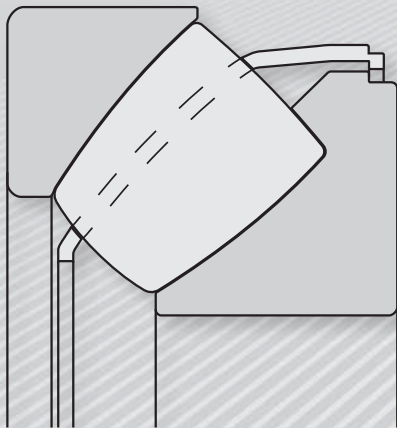
The reasons for this improved performance are the state-of-the-art manufacturing technology and improved internal designs. This leads to better and more uniform surfaces and contact points and thus to optimized load distribution in the bearing.



## X-life – proven quality

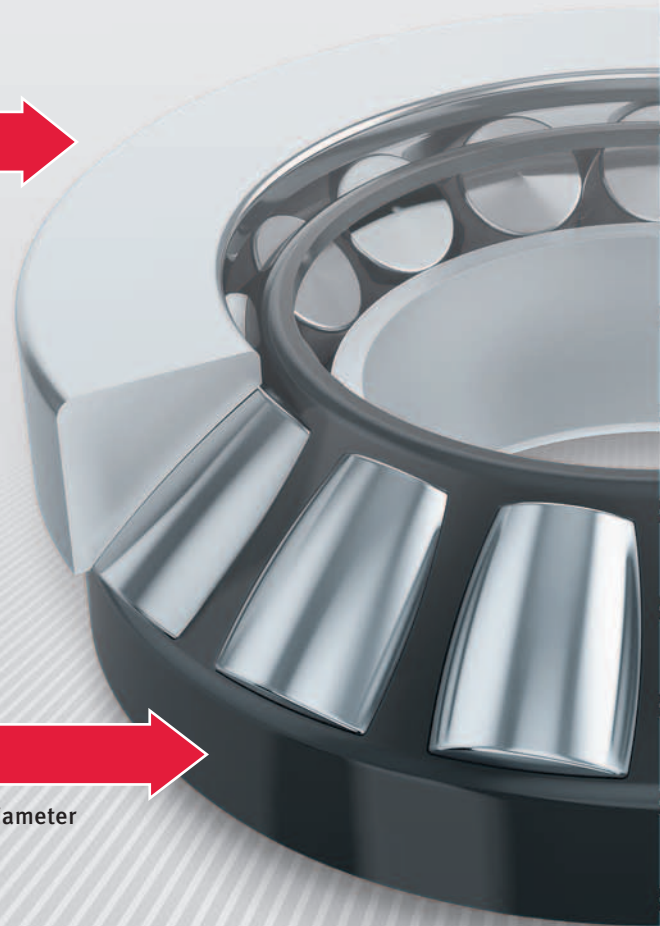
### Product advantages

- Sturdy design
- Low wear
- Unaffected by insufficient lubrication
- Low friction
- Minimum operating temperature



### Sheet steel cage

For bearings with an outside diameter  
of up to 620 mm



# Bearing with Solid Brass Cage

X-life – now for large bearings as well



## Product advantages

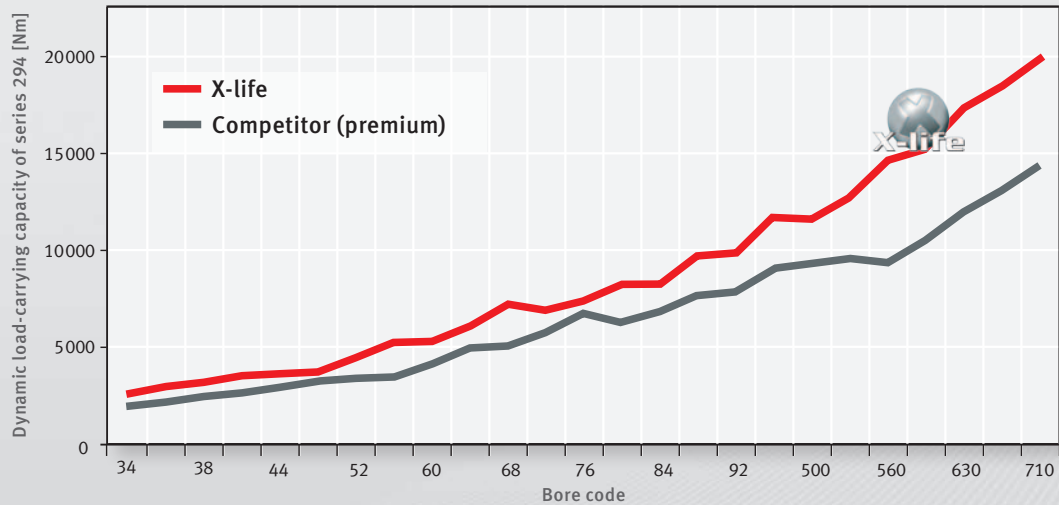
- Proven prong-type cage design
- Particularly good emergency running properties
- Low noise generation
- Perfectly suitable for demanding applications



## Solid brass cage

For larger bearings with an outside diameter of up to 2,280 mm as well as for series 292

## X-life – the best performance on the market



### Performance in numbers

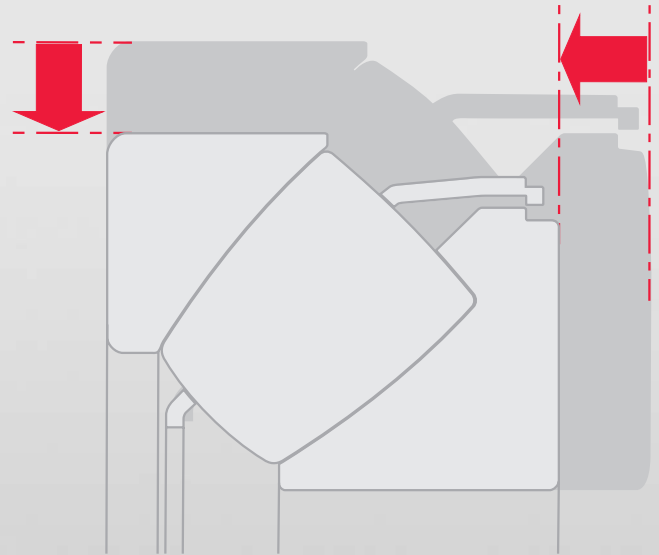
- 45% longer rating life
- 12% higher dynamic load-carrying capacity
- 4% higher static load-carrying capacity
- Up to 20% less friction
- 14% greater fatigue limit load
- 7% higher speeds



## X-life – for new design perspectives

Axial spherical roller bearings in X-life quality increase design possibilities:

- The rating life of X-life bearings is longer with the same load and without changing the design envelope; maintenance intervals can be extended.
- Conversely, X-life bearings with the same design envelope and rating life can support a greater load.
- If the rating life and load remain unchanged, X-life bearings provide greater performance and allow the design envelope to be optimized and weight to be reduced.



Identical performance with a smaller design envelope:  
You can build smaller from now on!



**Bottom line: Axial spherical roller bearings increase the overall cost-effectiveness of your machines and equipment.**



Learn more about our products at:  
[www.schaeffler.com/axial\\_srb](http://www.schaeffler.com/axial_srb)

**Schaeffler Technologies GmbH & Co. KG**

Georg-Schäfer-Strasse 30  
97421 Schweinfurt  
Germany  
Internet [www.schaeffler.de](http://www.schaeffler.de)  
E-mail [info@schaeffler.com](mailto:info@schaeffler.com)

In Germany:

Phone 0180 5003872  
Fax 0180 5003873

From other countries:

Phone +49 9721 91-0  
Fax +49 9721 91-3435

Every care has been taken to ensure the correctness of the information contained in this publication but no liability can be accepted for any errors or omissions. We reserve the right to make technical changes.

© Schaeffler Technologies GmbH & Co. KG  
Issued: 2014, March

This publication or parts thereof may not be reproduced without our permission.